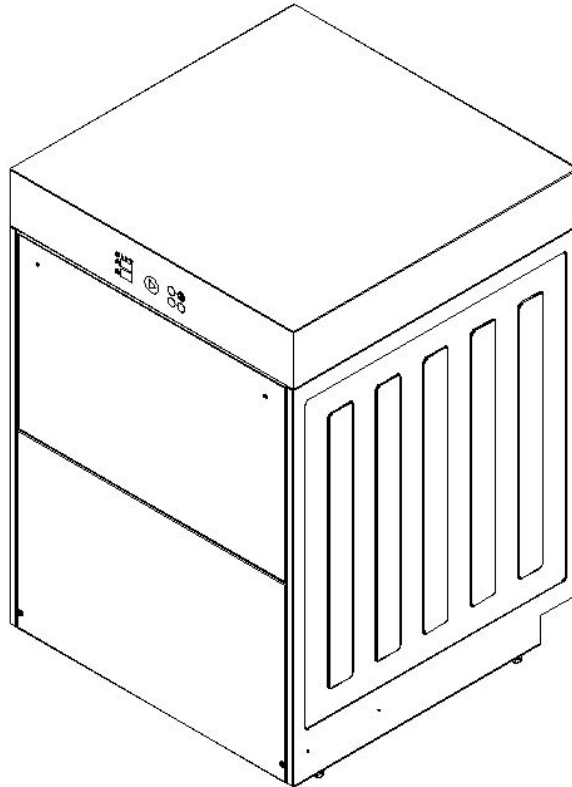
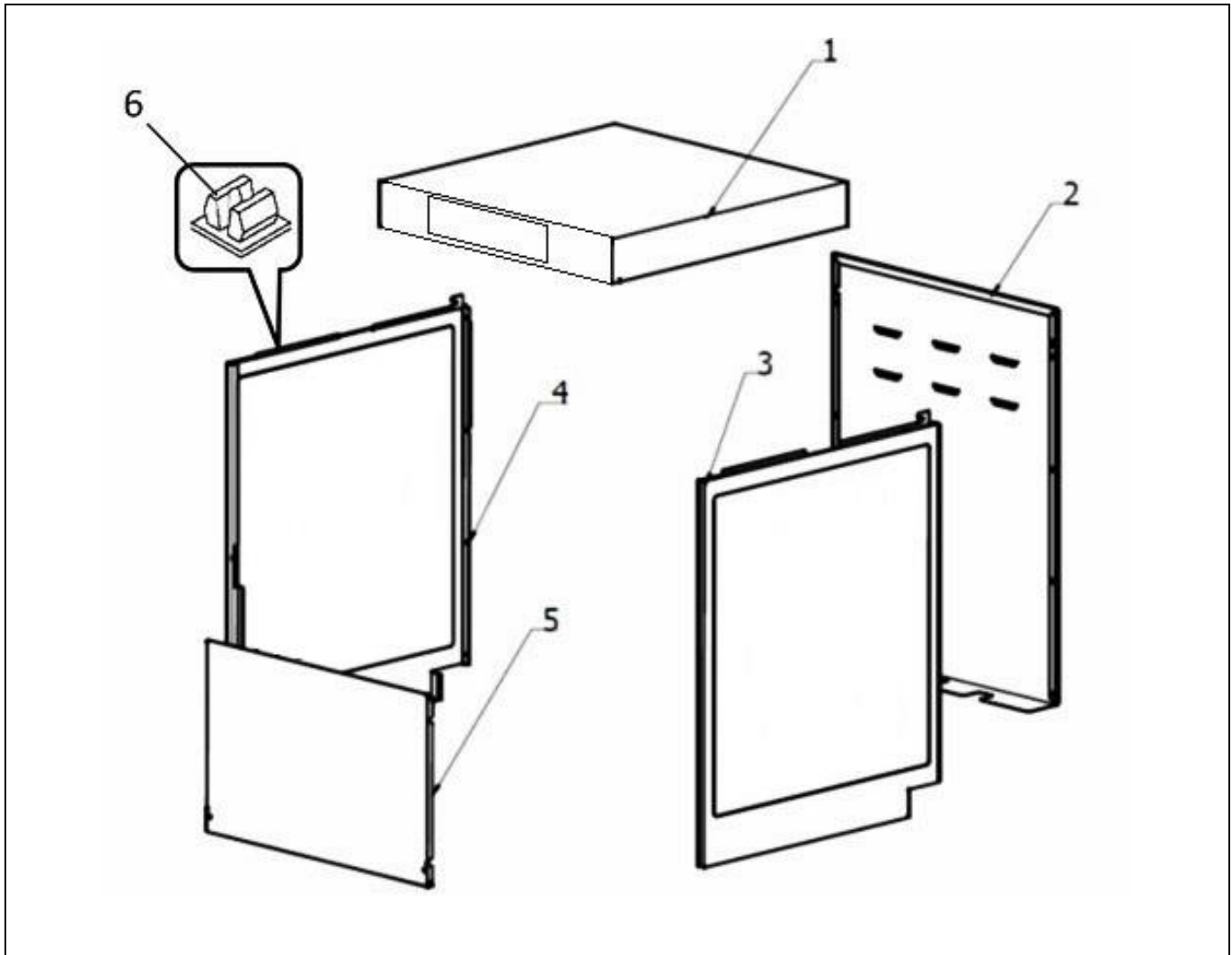


UNDERCOUNTER DISHWASHER
台下式洗碗机



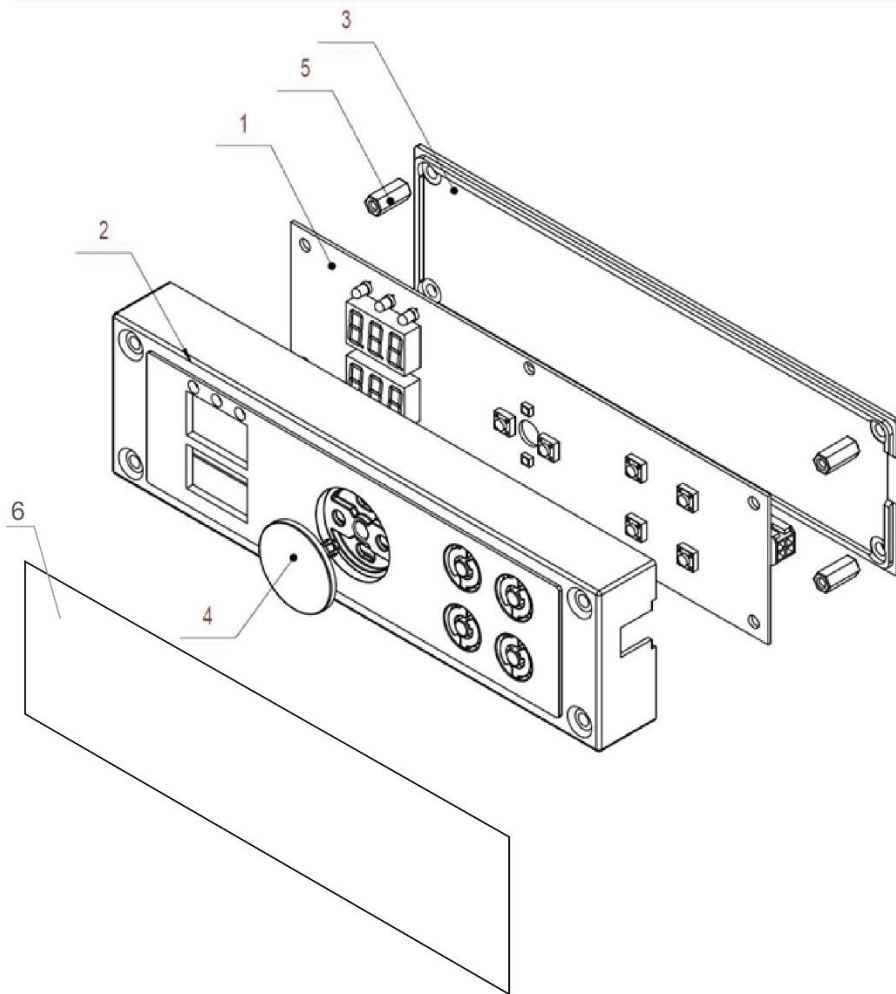
Index	目录	Page
Hoardings Assembly	围板组件	2
PCB Assembly	电脑板组件	3
Wash Chamber Assembly	箱体组件	4-5
Wash Arm Assembly	清洗喷臂组件	6-7
Water Cup Assembly	水杯组件	8-9
Drainage and anti-siphon Assembly	排水防虹吸组件	10-11
Water inlet and anti-siphon Assembly	进水阀及防虹吸组件	12-13
Dispenser Assembly	分配器组件	14-15
Water level Assembly	水位开关组件	16
Boiler Assembly	加热包组件	17-18
PCB Assembly	PCB 组件	19
Electrical Box	电箱组件	20-21
Little Electrical Box	副电箱组件	22



Pos.	Spare parts code	ANC	Description	Chinese Description	Ref./Notes	V	W & T	S
1	0VTBC9	SPNU013	Top Cover	顶盖板	威顺			
1		SPNU015	Top Cover	顶盖板	威顺之星			
1		SPNU016	Top Cover	顶盖板	伊莱克斯			
1		SPNU029	Top Cover	顶盖板	阿根廷			
2		CMNU014	Back Panel	背板				
2		CMNU099	Back Panel	背板	阿根廷			
3	0VTBZK	CMNU128	Side Panel (R)	侧板(右)				
4	0VTBZJ	CMNU127	Side Panel (L)	侧板(左)				
5	0VTA7T	CMNU052	Lower Panel	踢脚板				
6	0VT821	CP00416	Plastic Nut	外壳螺母 (塑料)				

Hoardings Assembly
围板组件

From Ser. Nr... Up to Ser. Nr...	@ Page:2	Ed. 2.0 04.2021	Doc No: PM00718
-------------------------------------	-------------	-----------------	------------------------

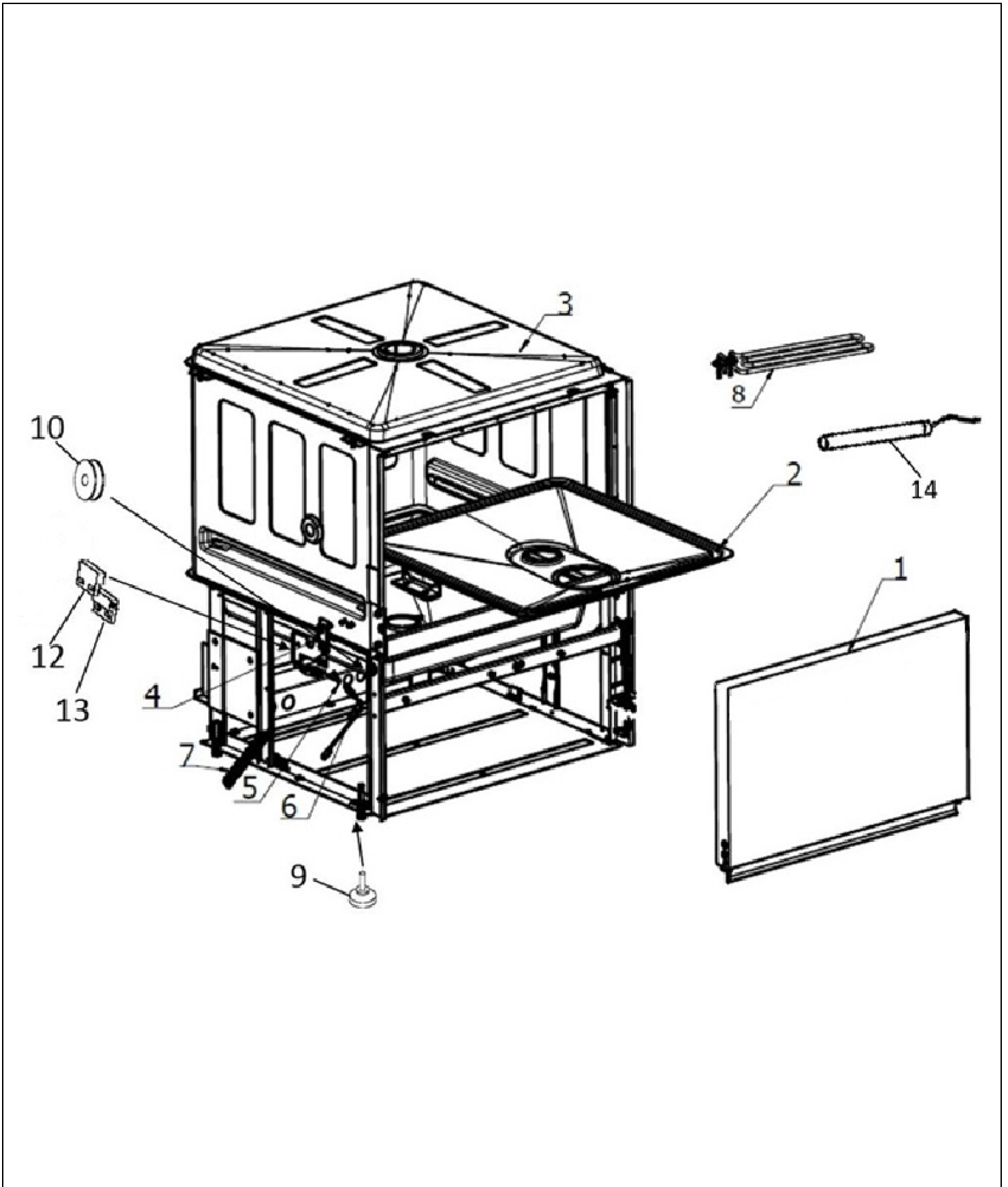


Pos.	Spare parts code	ANC	Description	Chinese Description	Ref./Notes	V	W & T	S
1	0VT321	CE00695	Interface PCB	显示板	Thermal label			
1		CE00912	Interface PCB	显示板				
2	0VT541	CP00423	PCB Cover	显示板外壳				
3	0VT542	CP00424	PCB Cover	显示板后盖				
4	0VT543	CP00435	Start Button	启动按键				
5	0VT920	CS00424	Post	支撑柱				
6	0VT864	PM00425	Membrane	贴膜	To brand			
6	0VT595	PM00424	Membrane	贴膜	Veetsan			
6		PM00428	Membrane	贴膜	Veetsan Star			
6	0VTA03	PM00438	Membrane	贴膜	No brand			
6	0VTBZN	PM00670	Membrane	贴膜	Electrolux Professional			

PCB Assembly

电脑板组件

From Ser. Nr... Up to Ser. Nr...	@ Page:3	Ed. 2.0 02.2021	Doc No: PM00718
-------------------------------------	-------------	-----------------	------------------------



Wash Chamber Assembly
箱体组件

From Ser. Nr...
Up to Ser. Nr...

@
Page:4

Ed. 2.0 02.2021

Doc No: PM00718

Pos.	Spare parts code	ANC	Description	Chinese Description	Ref./Notes	V	W & T	S
1	0VT366	SPNU003	Door assembly	门组件				
1		SPNU017	Door assembly	门组件	Veetsan Star			
1	0VTBDD	SPNU018	Door assembly	门组件	Electrolux Professional			
1		SPNU022	Door assembly	门组件	Diversey			
2	0VT296	CO00580	Filter	平面过滤网				
3	0VT424	CO00698	Wash Chamber	箱体				
4	0VT287	SPNU001	Door Hinge(R)	门铰链组件 (右)				
4	0VT615	SPNU014	Door Hinge(L)	门铰链组件 (左)				
5	0VT809	CO01144	Hook	拉绳挂钩				
6	0VT074	CP00338	Rope	门拉绳				
7	0VT100	CO00684	Spring	门拉簧				
8	0VT764	CE00589	Heater	水箱加热管组件	440V			
8	0VT331	CE442CB	Heater	水箱加热管组件				
9	0VT200	CO00139	Bolt	平杯地脚螺丝				
9	0VT597	CS0014Y	universal wheel	万向轮	HDL			
10		CO00681	Wheel	拉绳轮				
12	0VTC1S	CE00907	Door Switch	磁性开关 M21P/1	M21P/1			
13	0VTC1Q	CE00908	Door Switch	磁性开关	MK21P-BV88330			
14	0VTBU5	CE00881	Sensor	温度传感器				

Wash Chamber Assembly
箱体组件

V = Vital spare part/核心备件
W&T = Wear and Tear/易损件

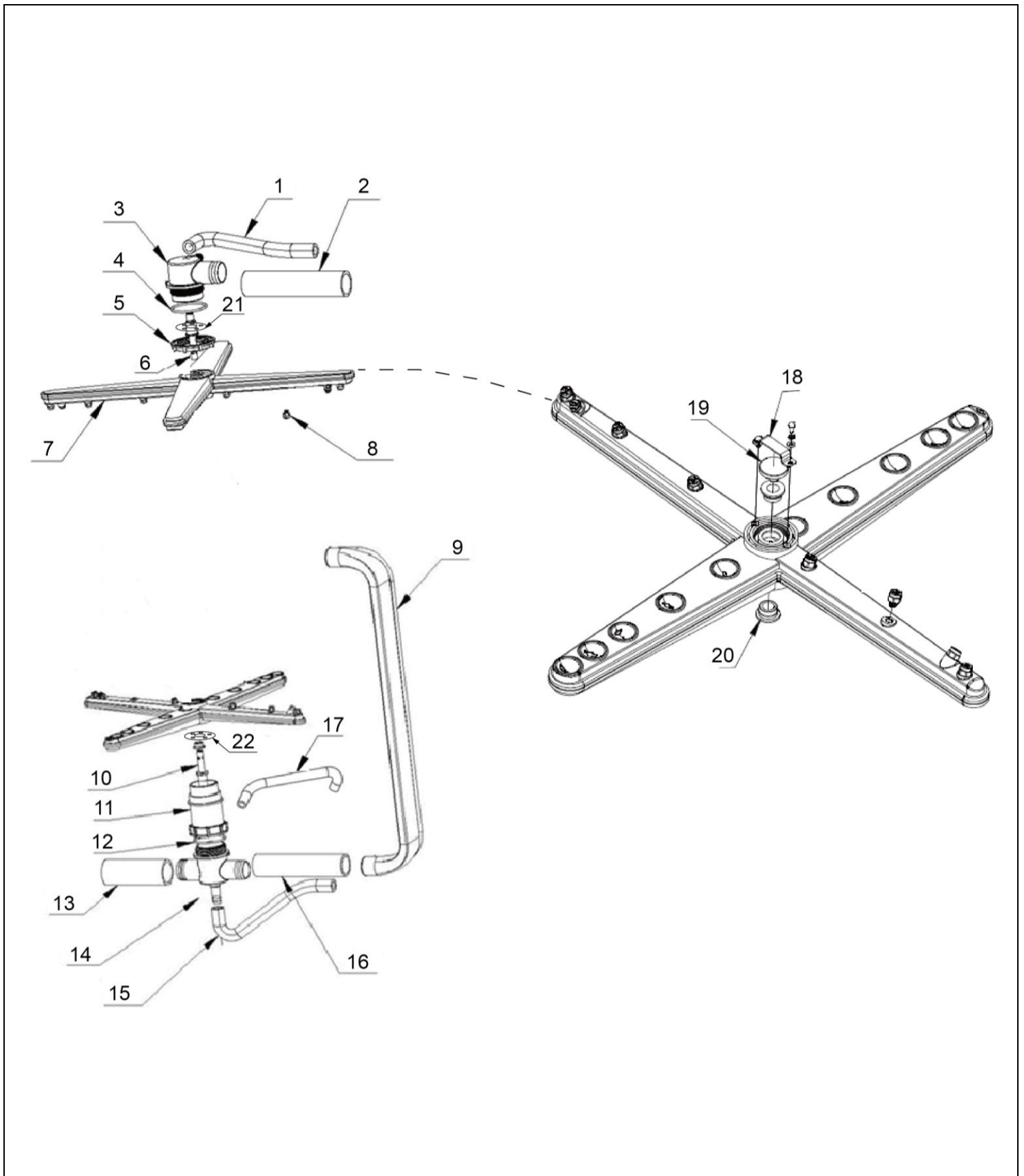
S = Suggested/建议更换备件
Bold=last change / 粗体=最后更改

From Ser. Nr...
Up to Ser. Nr...

Page:5

Ed. 2.0 12.2020

Doc No: PM00718



Wash Arm Assembly

清洗喷臂组件

From Ser. Nr...
Up to Ser. Nr...

@
Page:6

Ed. 2.0 02.2021

Doc No: PM00718

MODULAR FLIGHT TYPE DISHWASHER
长龙式洗碗机

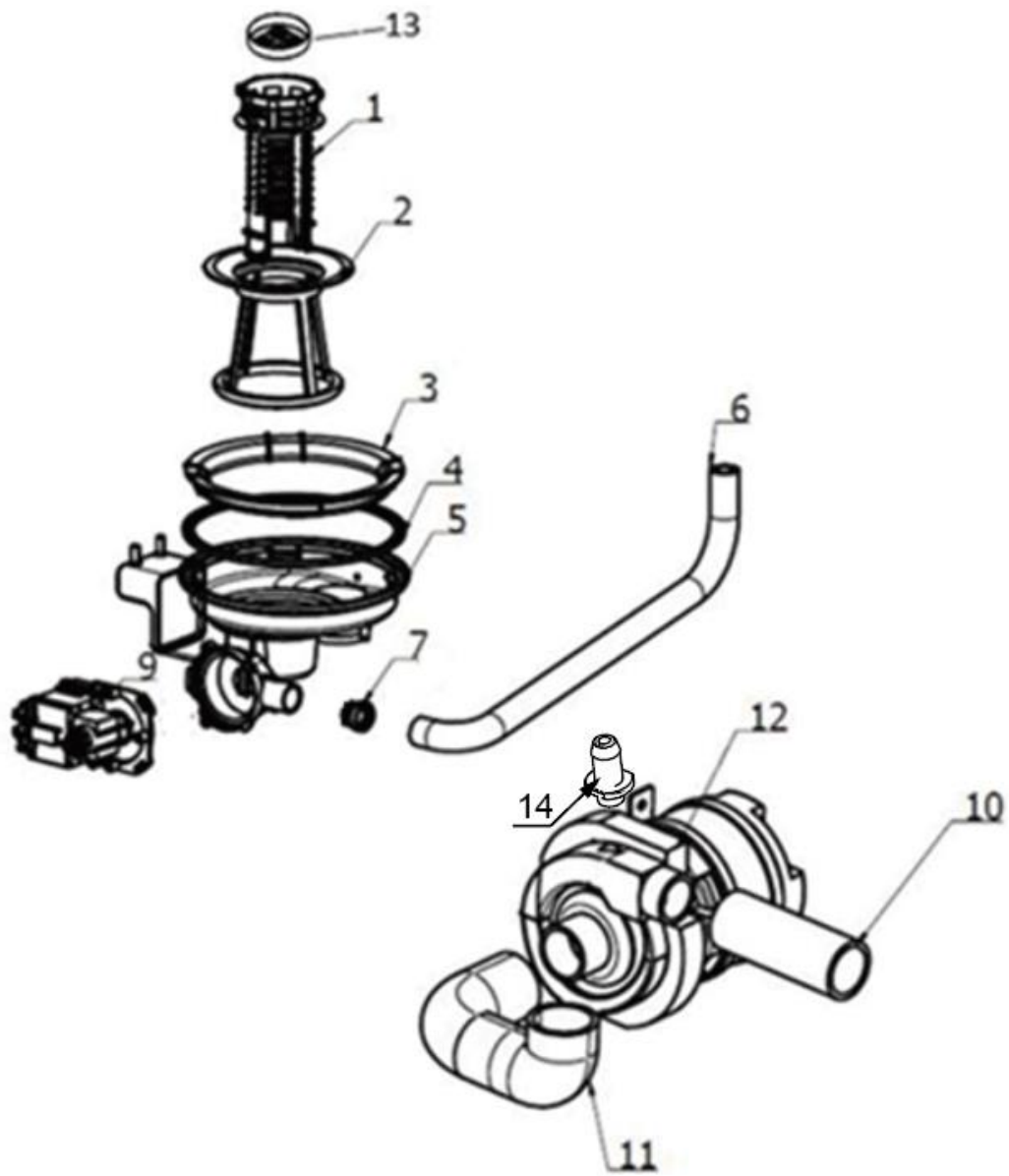
Pos.	Spare parts code	ANC	Description	Chinese Description	Ref./Notes	V	W & T	S
1	0VT250	CP00245	Pipe	漂洗连接管(上)				
2	0VT189	CP00244	Pipe	洗涤连接管				
3	0VT545	CP00445	Support(upper)	喷臂座(上)				
4	0VT165	CP00351	O-Ring	喷臂 O 型密封圈				
5	0VT101	CP00339	Nut	软水器螺母				
6	0VT289	CO00677	Shaft	上喷臂轴				
7	0VT544	CP00443	New Wash Arm	喷臂组件				
8		CS00379	Nozzle	喷嘴				
9	0VT302	CP00330	Wash Pipe	集成外水管				
10	0VT654	CO01090	Wash Arm Shaft	下喷臂轴				
11	0VT187	CP00301	Support	下喷臂柱				
12	0VT165	CP00351	O-Ring	喷臂 O 型密封圈				
13	0VT126	CP00243	Pipe	洗涤泵出水连接管				
14	0VT546	CP00446	Support(lower)	喷臂座(下)				
15	0VT251	CP00246	Pipe	漂洗连接管(下)				
16	0VT189	CP00244	Pipe	洗涤连接管				
17	0VT090	CP00241	Pipe	锅炉出水连接管				
18		CMNU080	clamp	洗臂螺钉抱箍				
19	0VT562	CO00678	Bolt	喷臂螺钉				
20		CO01091	Sleeve	衬套				
21		CMNU074	Throttle slice(upper)	上节流片				
22		CMNU075	Throttle slice(lower)	下节流片				

Wash Arm Assembly
清洗喷臂组件

V = Vital spare part/核心备件
W&T = Wear and Tear/易损件

S = Suggested/建议更换备件
Bold=last change / 粗体=最后更改

From Ser. Nr... Up to Ser. Nr...	Page:7	Ed. 2.0 02.2021	Doc No: PM00718
-------------------------------------	--------	-----------------	------------------------



Water Cup Assembly
水杯组件

From Ser. Nr...
Up to Ser. Nr...

@
Page:8

Ed. 2.0 04.2021

Doc No: PM00718

MODULAR FLIGHT TYPE DISHWASHER
长龙式洗碗机

Pos.	Spare parts code	ANC	Description	Chinese Description	Ref./Notes	V	W & T	S
1	0VT202	CP00328	Filter Support	提杯				
2	0VT823	CP00444	Filter	微过滤器				
3	0VT179	CP00340	Nut	水杯螺母				
4	0VT079	CP00310	Gasket	水杯密封圈				
5	0VT547	CP00447	Water Cup(with gasket)	水杯(带密封圈)				
6	0VT160	CP00325	Pipe	内排水管 B				
7		CS00447	Clamp	弹性卡箍				
9	0VT444	CE00789	Drain Pump	排水泵				
10	0VT126	CP00243	Pipe	洗涤泵出水连接管				
11	0VT189	CP00244	Pipe	洗涤连接管				
12	0VT369	CE00314	Wash Pump	洗涤泵				
13	0VT462	CO01084	Filter	过滤网				
14		CO00149		催干剂接头				

Water Cup Assembly
水杯组件

V = Vital spare part/核心备件
W&T = Wear and Tear/易损件

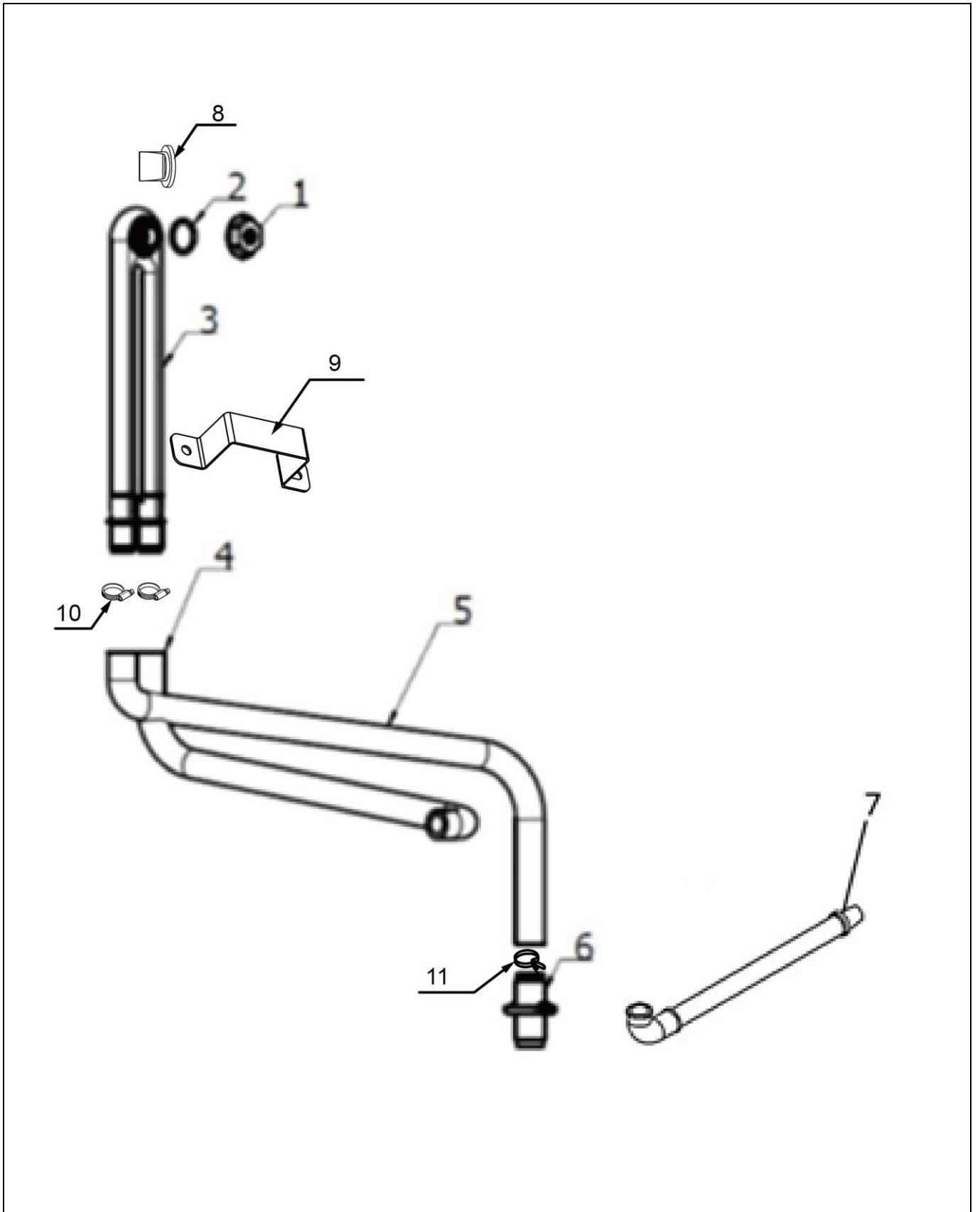
S = Suggested/建议更换备件
Bold=last change / 粗体=最后更改

From Ser. Nr...
Up to Ser. Nr...

Page:9

Ed. 2.0 04.2021

Doc No: PM00718



**Drainage and anti-siphon
Assembly**

排水防虹吸组件

From Ser. Nr...
Up to Ser. Nr...

@
Page:10

Ed. 2.0 04.2021

Doc No: PM00718

MODULAR FLIGHT TYPE DISHWASHER
长龙式洗碗机

Pos.	Spare parts code	ANC	Description	Chinese Description	Ref./Notes	V	W & T	S
1	0VT083	CP00333	Nut	虹吸管螺母				
2	0VT045	CP00356	O-Ring	O 型圈				
3	0VT201	CP00332	Pipe	虹吸管				
4	0VT160	CP00325	Pipe	内排水管 B				
5	0VT159	CP00326	Pipe	内排水管 A				
6	0VT002	CP00298	Connector	排水管固定座				
7	0VT540	CP00379	Pipe	外排水管				
8		CP00309	Siphon check valve	虹吸管单向阀				
9		CMNU075	Siphon clamp	虹吸管抱箍				
10		CS00438	Clamp	喉箍				
11		CS00447	Elastic band	弹性卡箍				

Drainage and anti-siphon Assembly
排水防虹吸组件

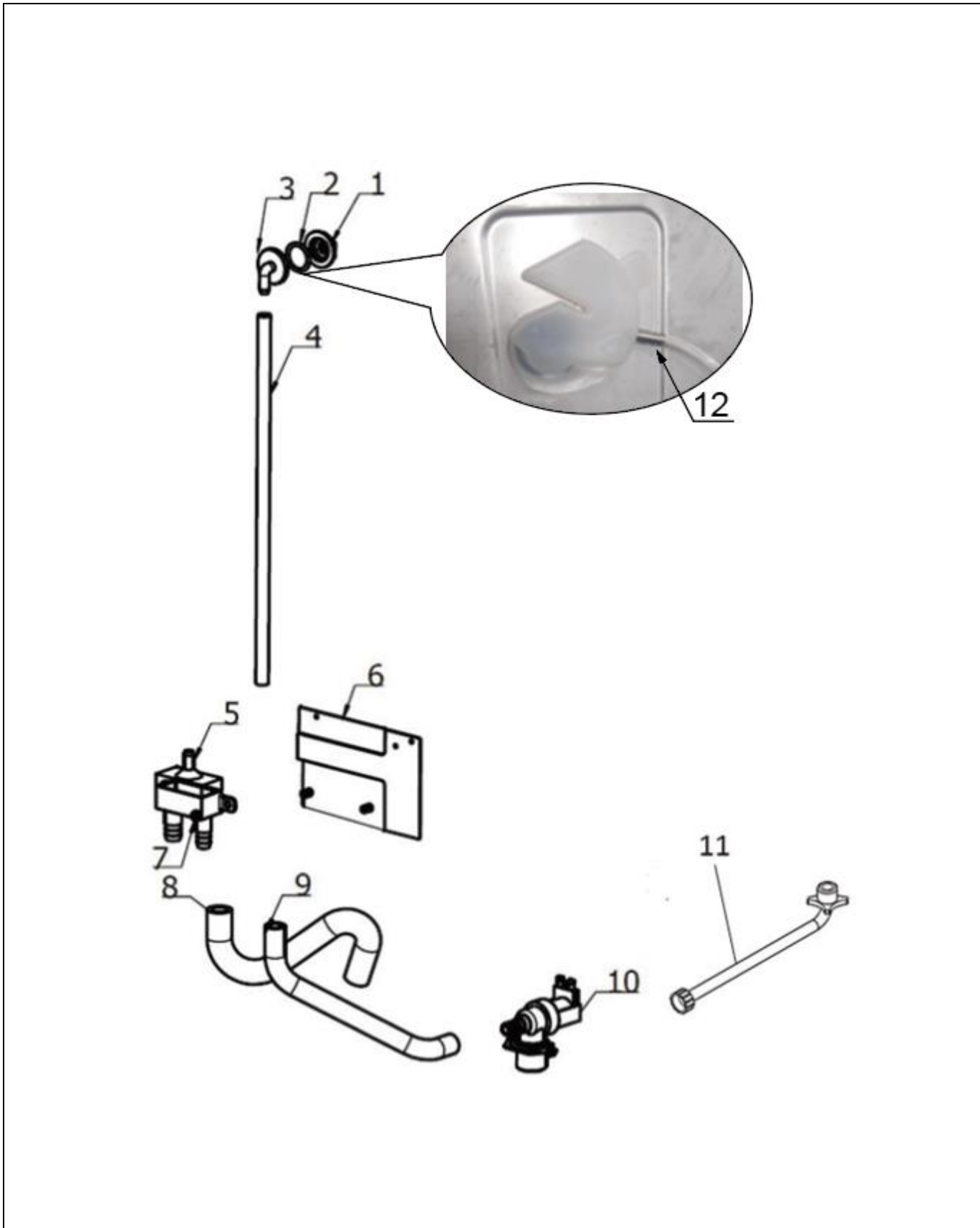
V = Vital spare part/核心备件

W&T = Wear and Tear/易损件

S = Suggested/建议更换备件

Bold=last change / 粗体=最后更改

From Ser. Nr... Up to Ser. Nr...	Page:11	Ed. 2.0 04.2021	Doc No: PM00718
-------------------------------------	---------	-----------------	------------------------



Water inlet and anti-siphon Assembly

进水阀及防虹吸组件

V = Vital spare part/核心备件

W&T = Wear and Tear/易损件

S = Suggested/建议更换备件

Bold=last change / 粗体=最后更改

From Ser. Nr...
Up to Ser. Nr...

@
Page:12

Ed. 2.0 04.2021

Doc No: PM00718

MODULAR FLIGHT TYPE DISHWASHER
长龙式洗碗机

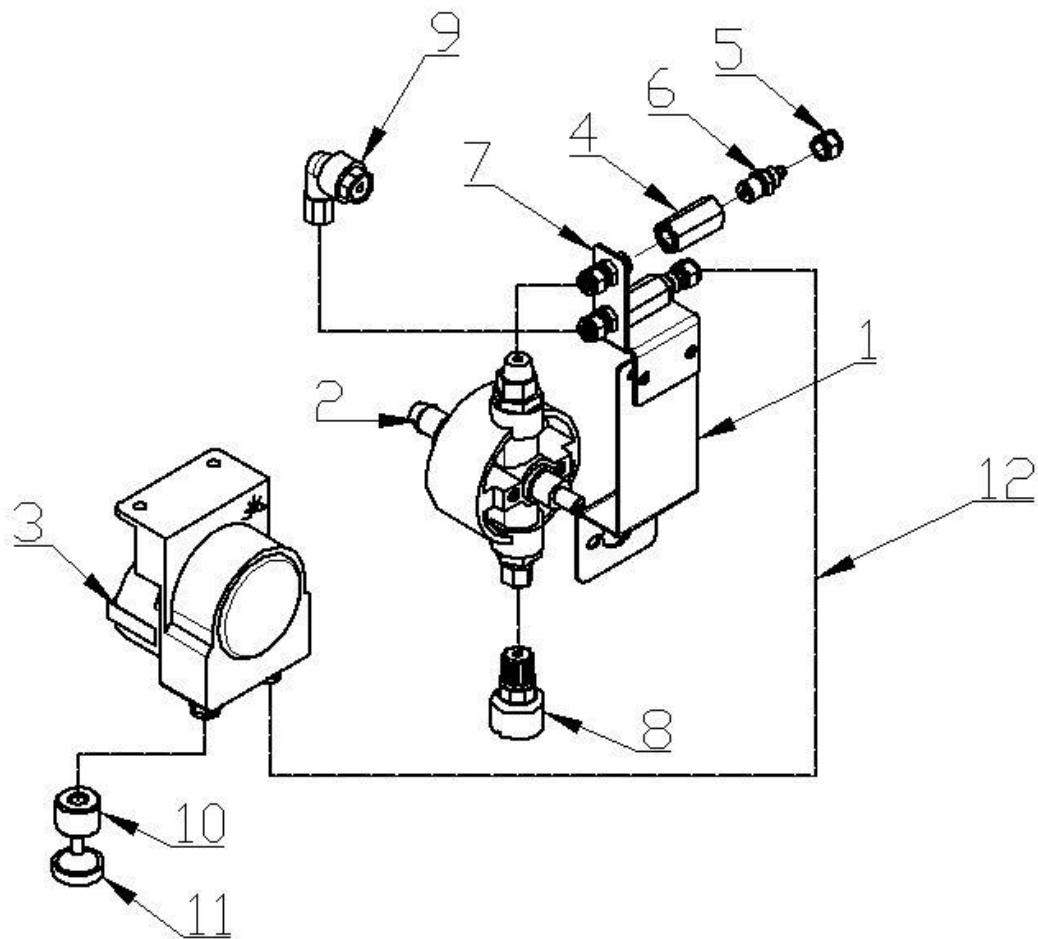
Pos.	Spare parts code	ANC	Description	Chinese Description	Ref./Notes	V	W & T	S
1	0VT083	CP00333	Nut	虹吸管螺母				
2	0VT045	CP00356	O-Ring	进水防虹吸接头 O 型圈				
3	0VT124	CO00744	Air Inlet	进气器组件	含 O 型圈、进气器螺母			
4		CP00345	Pipe	虹吸管				
5		CP00442	Air Relief Valve	进水防虹吸器				
6		CO00704	Plate	进水防虹吸固定板				
7	0VT968	CS00129	M5 Nut	M5 锁紧头螺母				
8	0VT158	CP00240	Pipe	锅炉进水连接管				
9	0VT090	CP00241	Pipe	流量计出水管				
10	0VT224	CE00636	Inlet Valve	进水阀				
11	0VT392	CP00274	Pipe	进水管				
12		CO00739	Air inlet joint	进气器接头				

Water inlet and anti-siphon Assembly
进水阀及防虹吸组件

V = Vital spare part/核心备件
W&T = Wear and Tear/易损件

S = Suggested/建议更换备件

Bold=last change / 粗体=最后更改



Dispenser Assembly
分配器组件

From Ser. Nr...
Up to Ser. Nr...

@
Page:14

Ed. 2.0 01.2021

Doc No: PM00718

MODULAR FLIGHT TYPE DISHWASHER
长龙式洗碗机

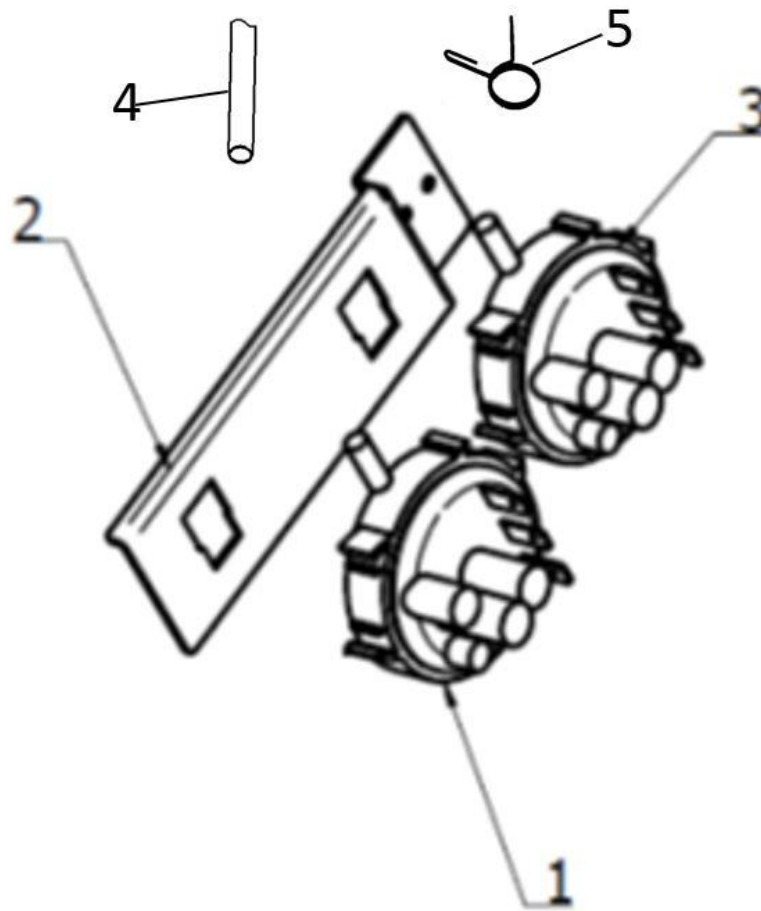
Pos.	Spare parts code	ANC	Description	Chinese Description	Ref./Notes	V	W & T	S
1		CMNU071	Support	分配器固定座				
2	0VT039	CS00070	Dispenser	干燥剂分配器				
3	0VT019	CE00049	Dispenser	洗涤剂分配器				
4	0VTA7V	CO01028	Nut	连接螺丝				
5	0VTBDB	CO00930	Nut	干燥/洗涤剂螺母				
6	0VT653	CO00929	Connector	干燥/洗涤剂接头				
7	0VTC61	CMNU047	Support	药剂口支架				
8	0VT793	CO00295	Inlet Port	快干剂吸口				
9	0VTA63	CO00298	Inlet Port	清洗剂出口				
10	0VT432	CO00142	Ring	不锈钢脚圈				
11	0VTBE2	CE00304	Port	洗涤剂吸口				
12	0VTA04	RM00192	Pipe	无毒管	2 米			

Dispenser Assembly
分配器组件

V = Vital spare part/核心备件
W&T = Wear and Tear/易损件

S = Suggested/建议更换备件
Bold=last change / 粗体=最后更改

From Ser. Nr... Up to Ser. Nr...	Page:15	Ed. 2.0 01.2021	Doc No: PM00718
-------------------------------------	---------	-----------------	------------------------



Pos.	Spare parts code	ANC	Description	Chinese Description	Ref./Notes	V	W & T	S
1	0VT446	CE00718	Pressure Switch	压力开关 2	低水位开关			
2		CMNU117	Support	压力开关固定板				
3	0VT445	CE00719	Pressure Switch	压力开关 1	高水位开关			
4	0VT533	CP00116	Pipe	硅胶管	1.5 米			
5	0VTC5H	CO00413	Clamp	扭簧	Ø1x8.9			

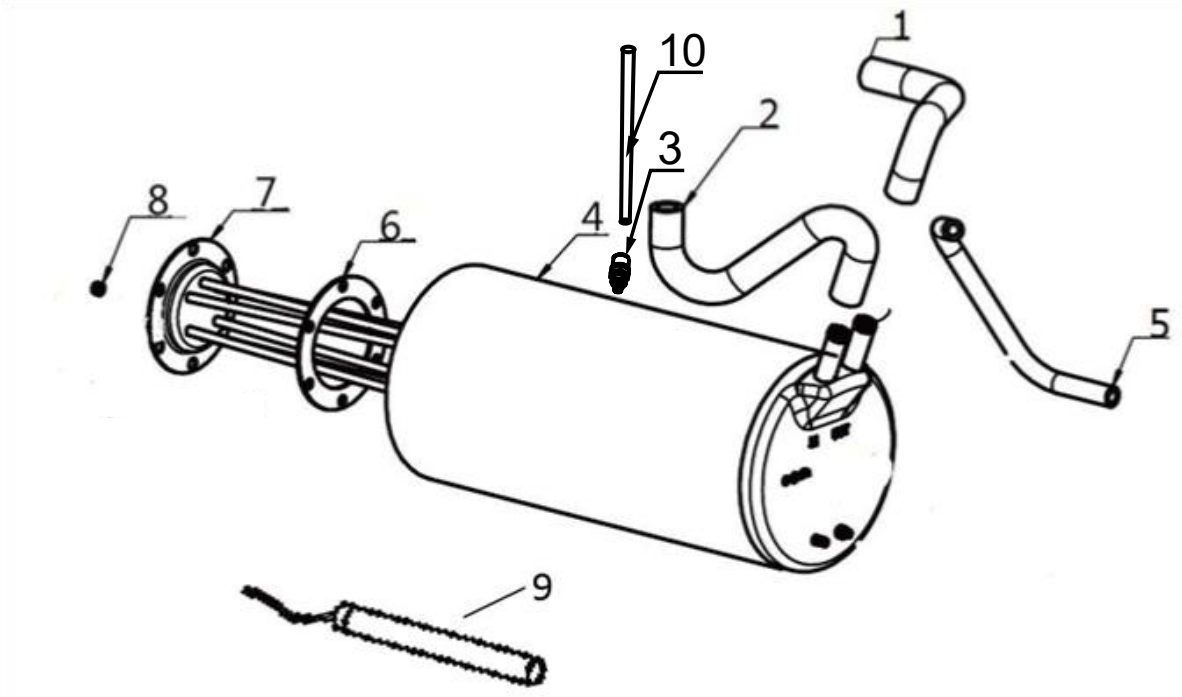
Water level Assembly
水位开关组件

From Ser. Nr...
Up to Ser. Nr...

@
Page:16

Ed. 2.0 04.2021

Doc No: PM00718



Boiler Assembly
加热包组件

From Ser. Nr...
Up to Ser. Nr...

@
Page:17

Ed. 2.0 04.2021

Doc No: PM00718

MODULAR FLIGHT TYPE DISHWASHER
长龙式洗碗机

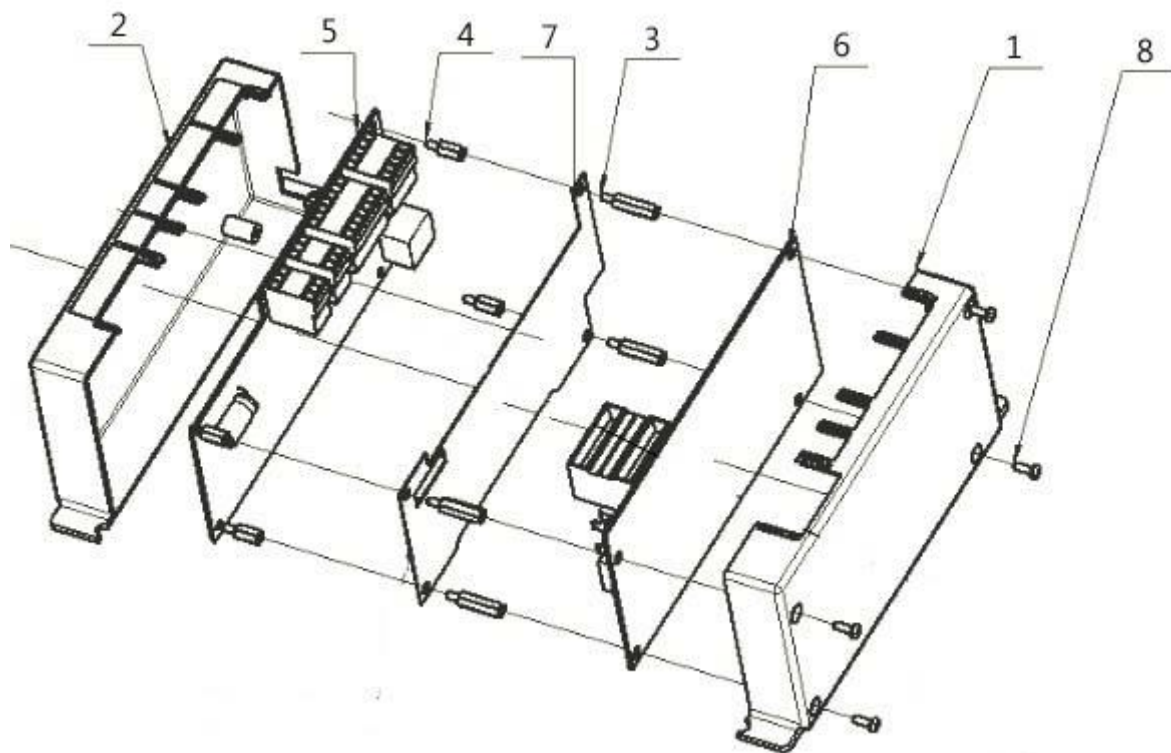
Pos.	Spare parts code	ANC	Description	Chinese Description	Ref./Notes	V	W & T	S
1	0VT090	CP00241	Pipe	锅炉出水连接管				
2	0VT158	CP00240	Pipe	锅炉进水连接管				
3	0VT653	CO00929	Joint	干燥剂接头				
4		CMNU036	Boiler	锅炉主体				
5	0VT533	CP00116	Pipe	干燥剂输入管				
6	0VT046	CP00318	Gasket	锅炉前端盖密封垫				
7	0VT417	CE441CB	Heater	锅炉加热管组件（三相）				
8	0VT968	CS00129	M5 Nut	M5 尼龙锁紧螺母				
9	0VTBU5	CE00881	Sensor	热敏电阻温度传感器				
10	0L1163	544685200	Tube	催干剂管				

Boiler Assembly
加热包组件

V = Vital spare part/核心备件
W&T = Wear and Tear/易损件

S = Suggested/建议更换备件
Bold=last change / 粗体=最后更改

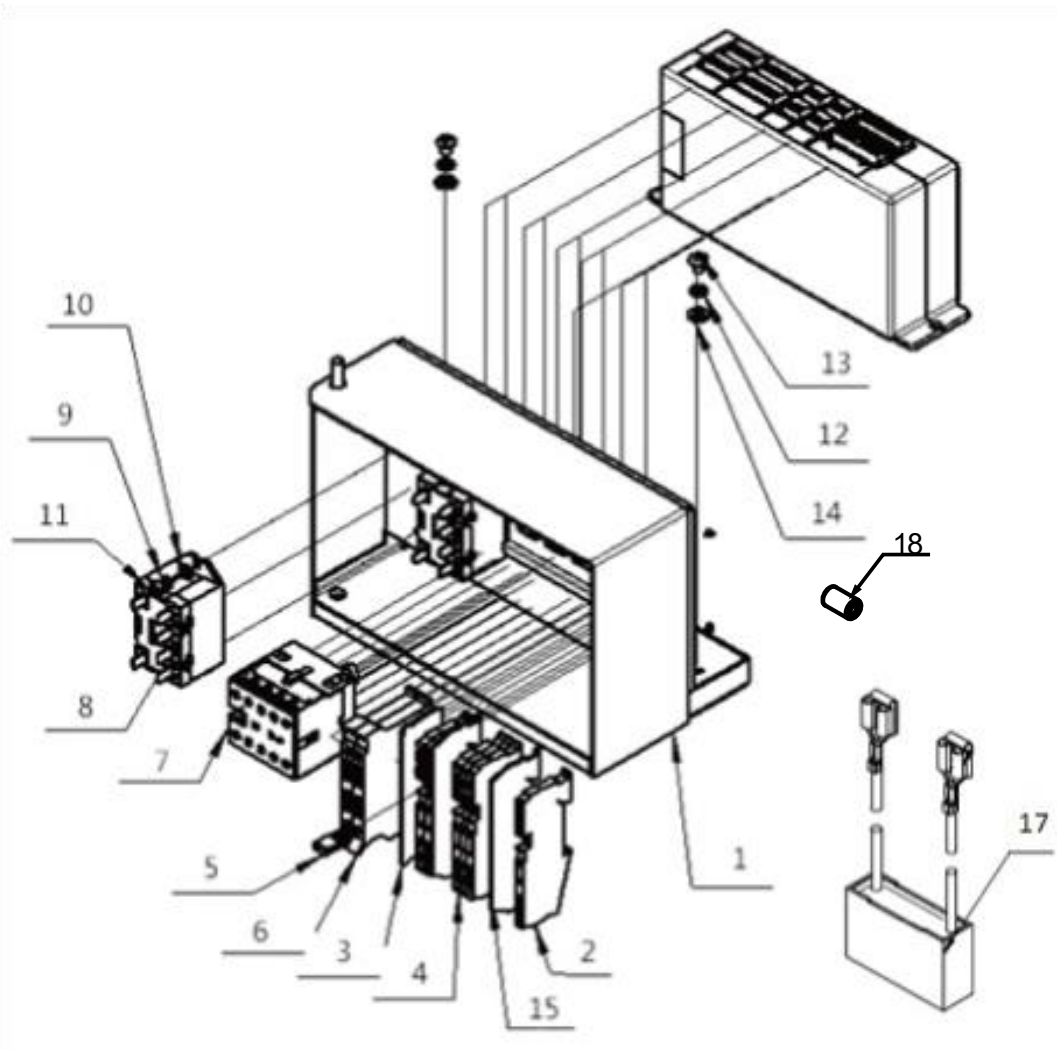
From Ser. Nr... Up to Ser. Nr...	Page:18	Ed. 2.0 04.2021	Doc No: PM00718
-------------------------------------	---------	-----------------	------------------------



Pos.	Spare parts code	ANC	Description	Chinese Description	Ref./Notes	V	W & T	S
1	0VTA9A	CP00436	Cover	外壳 1				
2	0VTA9B	CP00437	Cover	外壳 2				
3	0VTA9D	CS00425	Post	安装柱				
4	0VT585	CS00426	Post	安装柱				
5	0VT307	CE00694	PCB	电脑板				
6	0VT315	CE00693	PCB	电脑板				
7	0VTBA6	CMMR179	Plate	PCB 安装板				
8	0VT581	CS00155	Screw	十字盘头螺钉				

PCB Assembly
PCB 组件

From Ser. Nr... Up to Ser. Nr...	@ Page:19	Ed. 2.0 04.2021	Doc No: PM00718
-------------------------------------	--------------	-----------------	------------------------



Electrical Box Assembly
 电箱组件

From Ser. Nr...
 Up to Ser. Nr...

@
 Page:20

Ed. 2.0 04.2021

Doc No: PM00718

MODULAR FLIGHT TYPE DISHWASHER
长龙式洗碗机

Pos.	Spare parts code	ANC	Description	Chinese Description	Ref./Notes	V	W & T	S
1	0VTBA7	SPNU012	Electrical Box	电箱主体				
2	0VTA83	CE00520	Terminal	笼式双进双出地线端子				
3	0VTA84	CE00524	Plate	隔板				
4	0VTA85	CE00518	Terminal	笼式双进双出型端子				
5	0VT505	CE00526	Terminal	插拔式连接件				
6	0VT216	CE00249	Fuse	接线端子(保险丝端子)				
7		CE00352	Contactora	交流接触器(ABB 1502053K) B 型三极 82201658	B7-30-01*220- 240V 40-450Hz			
8	0VT438	CE00691	Relay	继电器				
9	0VT840	CS00143	Lock Washer	弹垫				
10	0VTA69	CS00152	Washer	平垫				
11	0VTA67	CS00126	Nut	外六角螺母				
12	0VT839	CS00142	Lock Washer	弹垫				
13	0VT835	CS00133	Bolt	十字槽盘头螺钉				
14	0VT843	CS00153	Washer	平垫				
15		CE00525	Plate	分组隔板				
16	0VT048	CE00071	Block	接线端子固定块				
17	0VT133	CE00716	RC Filter	消弧器				
18		CE00717	Magnet ring	磁环				

Little Electrical Box Assembly
副电箱组件

V = Vital spare part/核心备件
W&T = Wear and Tear/易损件

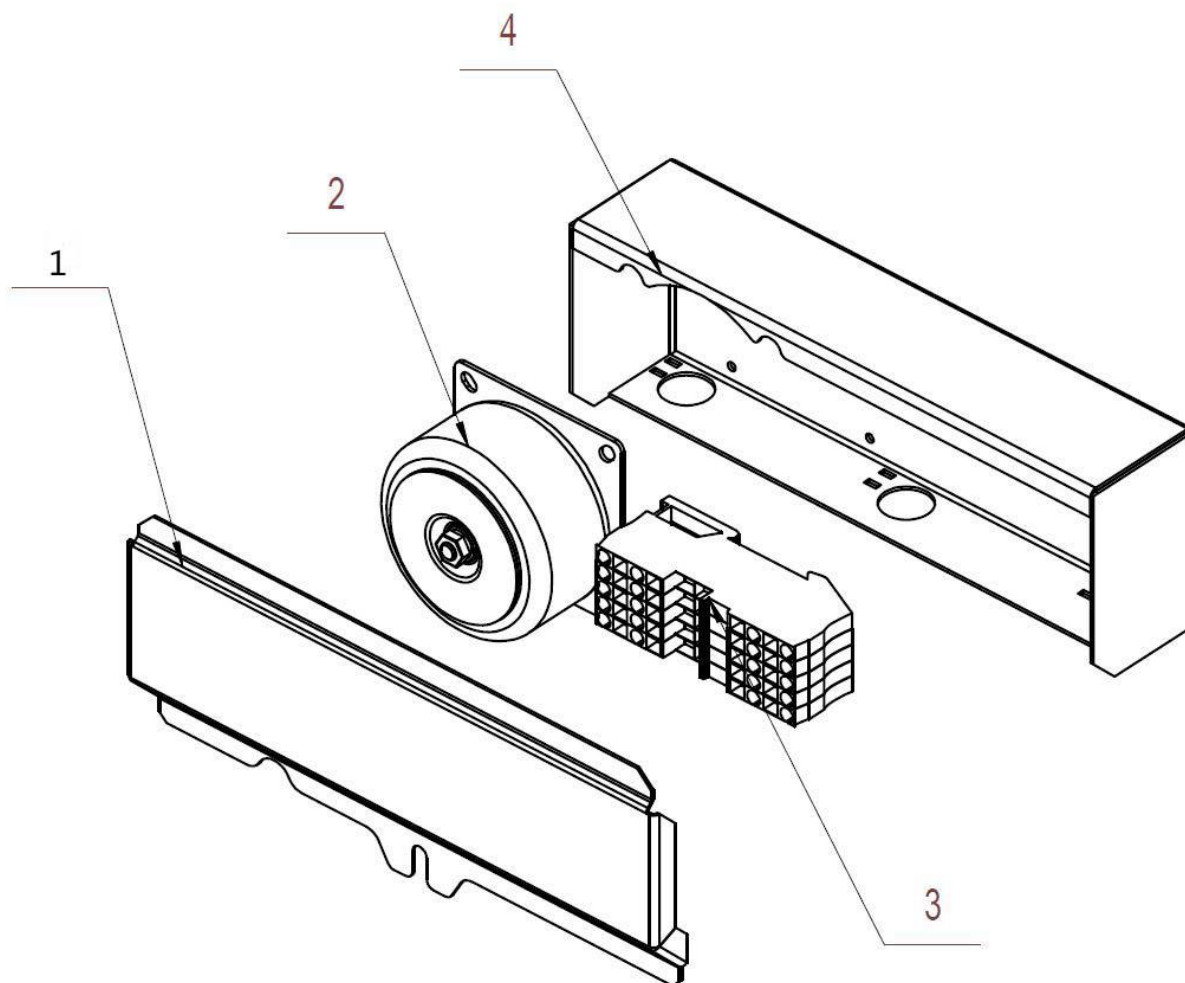
S = Suggested/建议更换备件
Bold=last change / 粗体=最后更改

From Ser. Nr...
Up to Ser. Nr...

Page:21

Ed. 2.0 04.2021

Doc No: PM00718



Pos.	Spare parts code	ANC	Description	Chinese Description	Ref./Notes	V	W & T	S
1		CMNU070	Cover	副电箱盖				
2	0VT437	CE0104Y	Transformer	环形变压器				
3	0VT216	CE00249	Terminal	接线端子(保险丝端子)				
4		CMNU069	Box	副电箱				

Water Inlet Assembly
进水管路组件

V = Vital spare part/核心备件
W&T = Wear and Tear/易损件

S = Suggested/建议更换备件
Bold=last change / 粗体=最后更改

From Ser. Nr... Up to Ser. Nr...	Page:22	Ed. 2.0 01.2021	Doc No: PM00718
-------------------------------------	---------	-----------------	------------------------



Electrolux Professional
Electrolux (Shanghai) Professional Machinery Co., Ltd.
2688, West Huancheng Road,
Fengxian District, Shanghai, China
<https://professional.electrolux.com>